



VC-40 | VC-60 | VC-90
VERTI-cutter

Specializing in use on Golf Courses and Sports Fields

The First Products VERTI-cutter has dominated the golf and sports turf industry for years because of its durable construction, continuous reliability and fast operating speeds.



164 Oakridge Church Road | Tifton, GA 31794

1-229-382-4768 (or) 1-800-363-8780

www.1stproducts.com

ABOUT 1ST PRODUCTS

Quality, Precision, and Durability – With or Without a Tractor

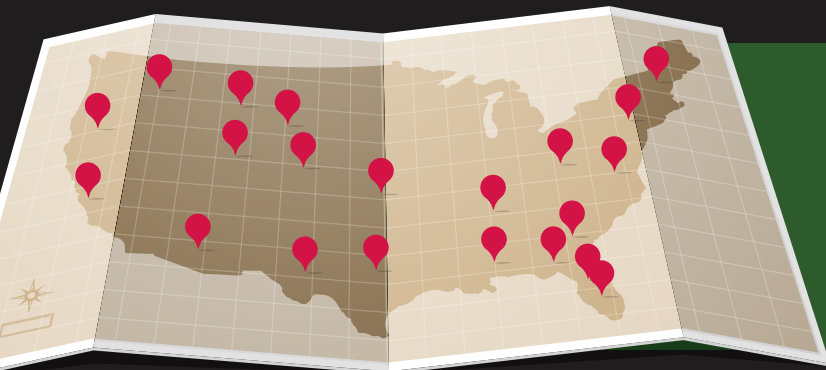
At 1st Products, Our mission is to professionally market, sell, and distribute quality products and services, create exceptional customer satisfaction, and be the preferred supplier in our industry and market area. In doing so, we will add value for each of our four stakeholders: our customers, our employees, our shareholders, and our suppliers.

- Commission checks for your salesmen
- Discounts on our quality products
- First to hear of new products coming to the market
- Build a close partnership with manufacturers to help gain product knowledge and support
- Expand your own personal brand and image



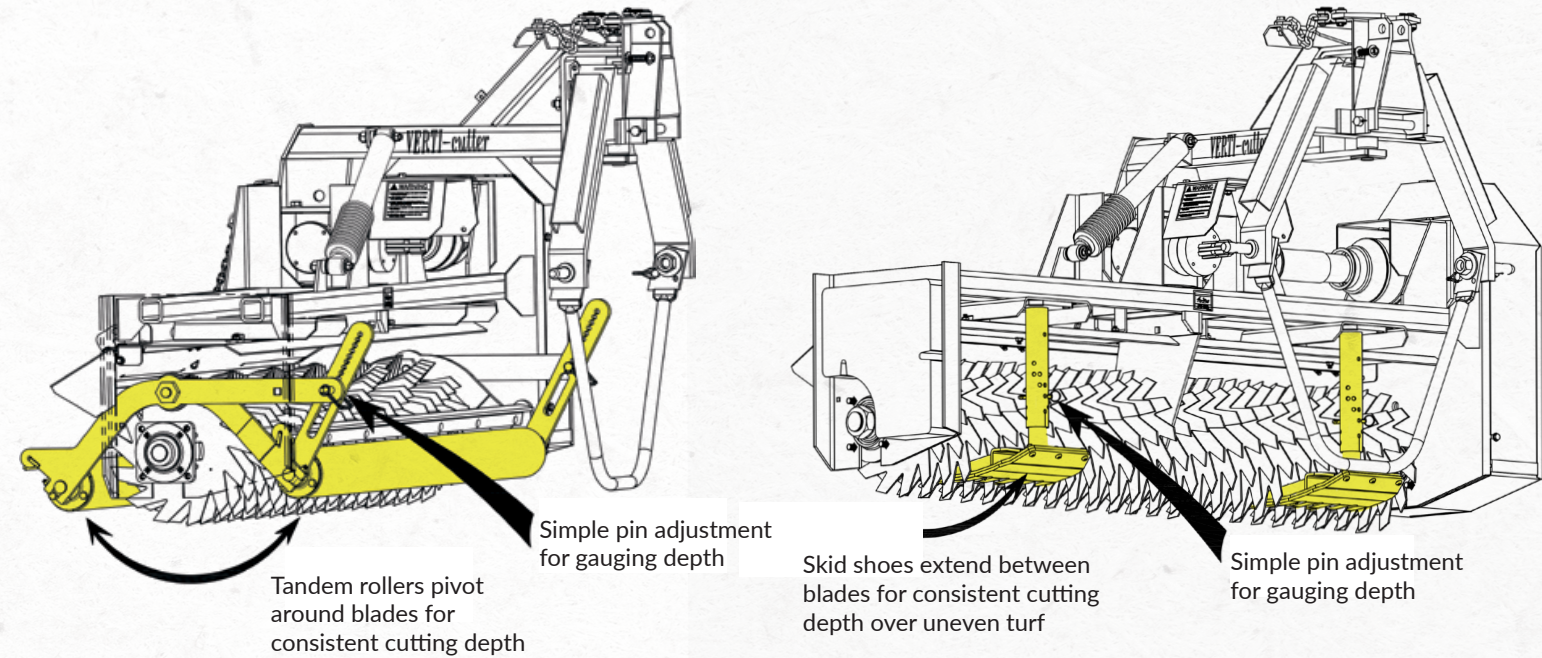
“Turf Equipment and Supply Company has been partnered with the team at 1st Products for over 15 years. The foundation for our great partnership has been the continuation of industry leading products, enhancements, timely responses and our relationship with the sales and service team at 1st Products. We look forward to the next 15 years and the upcoming innovations 1st Products will bring to the turf industry.”

BRIAN PARDOE
Turf Equipment and Supply Co.



**20 DEALERS ACROSS THE US
AND 20 OVERSEAS**

SPECIFICATIONS



	VC-40	VC-60	VC-90
Working Width	35 1/2"	54"	84"
Blades	10 Ga Carbide Tip 16 Ga Carbide Tip 10 Ga Hardened Steel	10 Ga Carbide Tip 10 Ga Hardened Steel	10 Ga Carbide Tip 10 Ga Hardened Steel
Blade Spacing	Rollers 1/2" - 2" (1/4" Increments)	Rollers 1.5 - 2 / Skids 2" Only	2"
Blade Depth Control	0 - 1 7/8"	0 - 1 7/8"	0 - 1 7/8"
Blade Shaft	1 5/8" Hex Stress Proof	1 5 / 8" Hex Stress Proof	1 5 / 8" Hex Stress Proof
Blade Rotation	Forward	Forward	Forward
Hitch	Patented 3 Pt Cat.1 Trailing Hitch	Patented 3 Pt. Cat. 1 Trailing Hitch	Patented 3 Pt. Cat. 1 Trailing Hitch
Drive	540 PTO Gearbox, 3 Belts	540 PTO Gearbox, 5 Belts	540 PTO Gearbox, 12 Belts
Required Hp	20 - 45 HP Varies By Cutting Depth	25 - 45 HP Varies By Cutting Depth	30 - 55 HP Varies By Cutting Depth
Frame	All Welded Steel Construction	All Welded Steel Construction	All Welded Steel Construction
Weight	800 Lbs.	900 Lbs.	1250 Lbs.
Dimensions	51" W, 24" L, 44" H	70" W, 46" L, 41" H	96" W, 72" L, 42" H
Gearbox	Heavy Duty 42 HP (31 Kw)	Heavy Duty 42 HP (31 Kw)	Heavy Duty 55 HP (31 Kw) Right Angle 30 HP

VC-40 VERTI-cutter



First Products introduces a smaller, compact version of the same quality. The VC40 offers tighter blade spacing from and ½"-2" spacing and an optional thinner blade, makes it the best VERTI-cutter for compact tractors.

Double Rollers

The double roller depth gauge system allows consistent depth control over undulations.

Available for VC-40 and VC-60



VC-60 VERTI-cutter



Double Rollers

The double roller depth gauge system allows consistent depth control over undulations.

1 1/2" spacing available now

Available for VC-40 and VC-60

Skids

The depth gauge skids are directly centered under the shaft allowing the skids to float over level surfaces. 2" spacing only.

Not available for VC-40

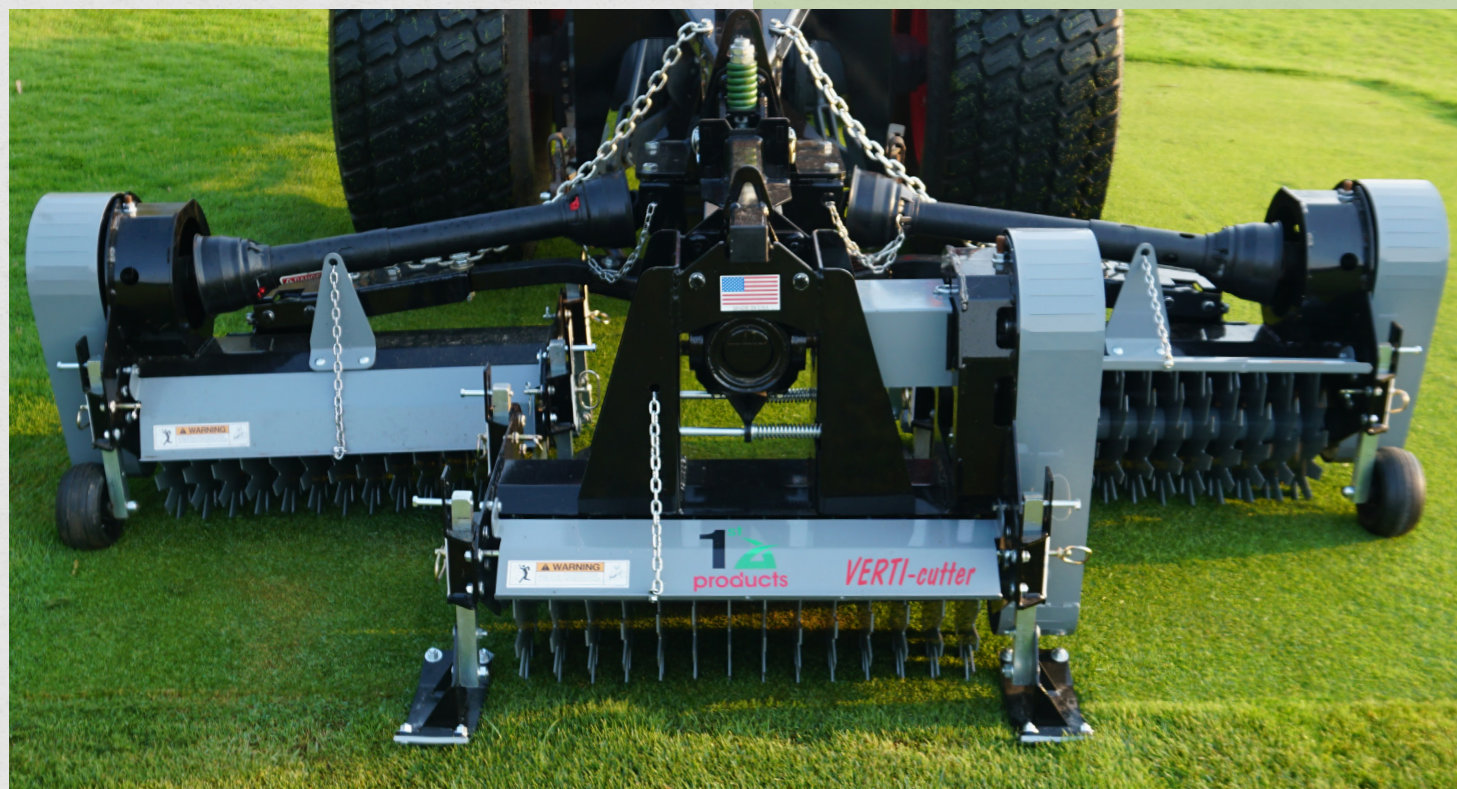


VC-90 VERTI-cutter



Improve your turf's health with the VC-90 VERTI-cutter. Designed for precision, the VC-90 effectively manages thatch and soil compaction, enhancing air, water, and nutrient absorption. Ideal for professionals, it ensures resilient, thriving grass with minimal effort.

- Floating 3" Heads
- Front Roller for Smoother Cut
- Hinged Rear Shield
- Fast Depth Adjustment
- Open Discharge
- Patented Swing Hitch



"We purchased our VC 60 in 2005, and it has been one of the most dependable and valuable units on our course. Its flexibility and turning ability allow us to navigate our "mogully" terrain and make tight turns without stopping. Our 35 hp tractor handles the verticutter easily. We use it for thatching, smoothing, and preparing fairways for overseeding, fertilizing, and topdressing. Our fairways look marvelous, and we receive daily compliments. The newly designed shoes prevent scalping turf and are super tough. After five years, we only need a new set of blades and are excited to try your new carbide-tipped units. Thanks for the great product."

ROGER EVANS
General Manager | North Star Gold Club | Fairbanks, Alaska



See the VERTI-cutter in action!

Scan the QR code to explore our YouTube video library.





164 Oakridge Church Road | Tifton, GA 31794

1-229-382-4768 (or) 1-800-363-8780

www.1stproducts.com



First Products, Inc. has a company policy of continuous improvements and development; therefore specifications are subject to change without notice. The company accepts no responsibility for discrepancies in specifications contained in this publication.

Patent No(s): 7,428,874; 8,640,784; 7,677,324