



# AGRI-VATOR

AG72 - 6' / AG96 - 8' / AG144 - 12'



164 Oakridge Church Road | Tifton, GA 31794  
1-229-382-4768 (or) 1-800-363-8780  
[www.1stproducts.com](http://www.1stproducts.com)



164 Oakridge Church Road | Tifton, GA 31794  
1-229-382-4768 (or) 1-800-363-8780  
[www.1stproducts.com](http://www.1stproducts.com)



# THE AGRI-VATOR

The AGRI-Vator is one of the leading types of agricultural equipment in the sod industry that helps with up to a 30% faster re-growth. It allows you to relieve compaction while aerating the soil at the same time. The unit is available in 6', 8', and 12' widths with an optional seed box and spiker roller.

## AG96 AGRI-VATOR - 8'

Facilitates seed growth and helps you get the results you want for your farm. Break apart the soil without doing damage to the surface turf.



### PRODUCT SPECIFICATIONS

**Weight** 2045 lbs

**Center Drive Gearbox** 1:1.5 Tee

**End Drive** 2 Cx Belts (Left End)

**Tine Vibration Frequency** @ 540 PTO RPM = 1026 Cycles/Min

**Side-to-Side Tine Travel** 2 1/4 inches

**Vibrating Depth** 6 Inches

**Aeration Density** 5 Holes per sq. ft.

**Tines** 3/4 X 6" Forged And Hardened (144)

**Rotor Bearings** Double Sealed Tapered Roller

**Drive Line** 1 3/8" Spline w/ Safety Shield

**Finish** Black Acrylic w Grey Trim

**Tractor HP required** 45, 60, 80

## AG72 AGRI-VATOR - 6'

Facilitates seed growth and helps you get the results you want for your farm. Break apart the soil without doing damage to the surface turf.



### PRODUCT SPECIFICATIONS

**Weight** 1630 lbs

**Center Drive Gearbox** 1:1.5 Tee

**End Drive** 3 Cx Belts (Left End)

**Tine Vibration Frequency** @ 540 PTO RPM = 1026 Cycles/Min

**Side-to-Side Tine Travel** 2 1/4 inches

**Vibrating Depth** 6 Inches

**Aeration Density** 5 Holes per sq. ft.

**Tines** 3/4 X 6" Forged And Hardened (144)

**Rotor Bearings** Double Sealed Tapered Roller

**Drive Line** 1 3/8" Spline w/ Safety Shield

**Finish** Black Acrylic w Grey Trim

**Tractor HP required** 45, 60, 80

## AG144 AGRI-VATOR - 12'

Facilitates seed growth and helps you get the results you want for your farm. Break apart the soil without doing damage to the surface turf.



### PRODUCT SPECIFICATIONS

**Weight** 2825 lbs

**Center Drive Gearbox** 1:1.5 Tee

**End Drive** 3 Cx Belts (Left End)

**Tine Vibration Frequency** @ 540 PTO RPM = 1026 Cycles/Min

**Side-to-Side Tine Travel** 2 1/4 inches

**Vibrating Depth** 6 Inches

**Aeration Density** 5 Holes per sq. ft.

**Tines** 3/4 X 6" Forged And Hardened (144)

**Rotor Bearings** Double Sealed Tapered Roller

**Drive Line** 1 3/8" Spline w/ Safety Shield

**Finish** Black Acrylic w Grey Trim

**Tractor HP required** 45, 60, 80

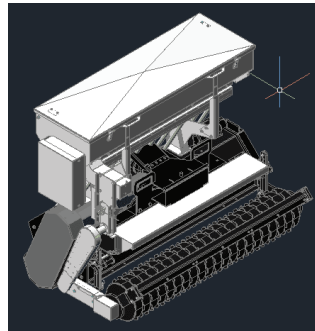
# ACCESSORIES

## SEEDBOX

### AG72 SEEDBOX

#### PRODUCT SPECIFICATIONS

**Weight:** (Approx) 627 LBS  
**Hopper Capacity:** 9 Bu  
**Rate Control:** Micro Flute Adjustment/Seed Cup  
**Gauge Mechanism:** Interchangeable Sprockets  
**Outlets:** 12

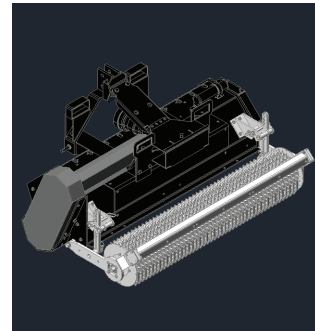


## SPIKE ROLLER

### AG72 SPIKER ROLLER

#### PRODUCT SPECIFICATIONS

**Weight:** 788 lbs.

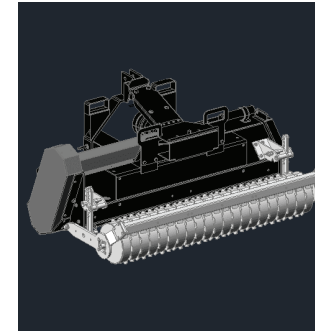


## CLEATED ROLLER

### AG72 CLEATED ROLLER

#### PRODUCT SPECIFICATIONS

**Weight:** (Approx) 570 LBS  
**Diameter:** 8"



## MULTI-TINE SHELLS

### MULTI-TINE SHELLS

Remove your AGRI-vator tines and replace them with the multi-tine shells just by bolting them in the existing tine holes. This will increase your holes per sq/ft. In addition to the seedbox, this makes the perfect, one pass seeder for over-seeding without damaging the turf netting.

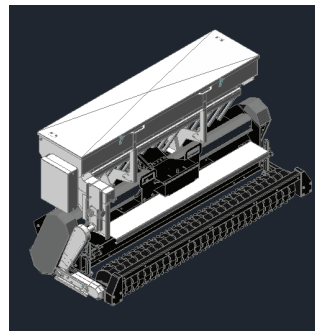
#### PRODUCT SPECIFICATIONS

**Vibrating Depth:** 2"  
**Shells Required:** AG72 6'- 24 shells  
 AG96 8'- 32 shells  
 AG144 12'- 48 shells

### AG96 SEEDBOX

#### PRODUCT SPECIFICATIONS

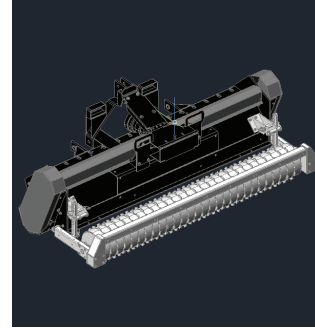
**Weight:** (Approx) 627 LBS  
**Hopper Capacity:** 9 Bu  
**Rate Control:** Micro Flute Adjustment/Seed Cup  
**Gauge Mechanism:** Interchangeable Sprockets  
**Outlets:** 12



### AG96 SPIKER ROLLER

#### PRODUCT SPECIFICATIONS

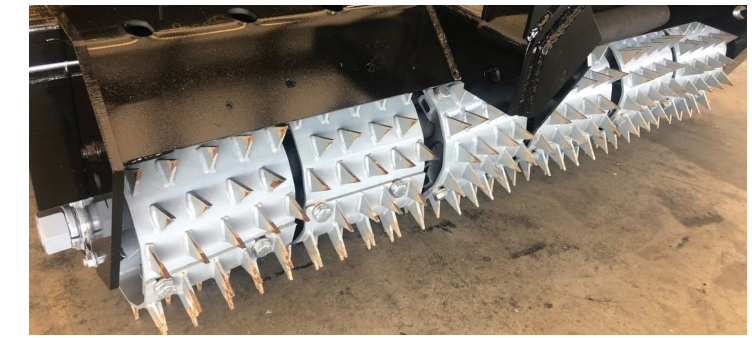
**Weight:** 1,024 lbs.



### AG96 CLEATED ROLLER

#### PRODUCT SPECIFICATIONS

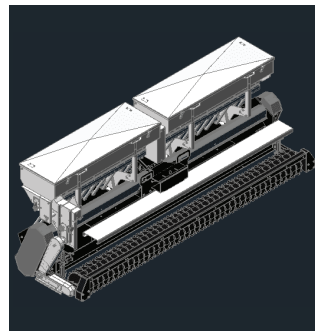
**Weight:** (Approx) 650 LBS  
**Diameter:** 8"



### AG144 SEEDBOX

#### PRODUCT SPECIFICATIONS

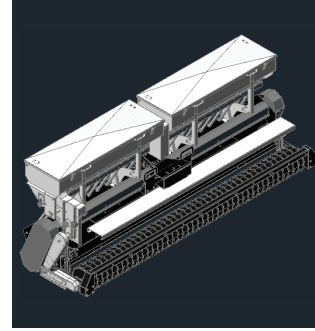
**Weight:** (Approx) 902 LBS  
**Hopper Capacity:** 18 Bu  
**Rate Control:** Micro Flute Adjustment/Seed Cup  
**Gauge Mechanism:** Interchangeable Sprockets  
**Outlets:** 24



### AG144 SPIKER ROLLER

#### PRODUCT SPECIFICATIONS

**Weight:** 1,510 lbs.



### AG144 CLEATED ROLLER

#### PRODUCT SPECIFICATIONS

**Weight:** (Approx) 1,025 LBS  
**Diameter:** 12"



**SHOP**  
 AGRI-VATORS

1STPRODUCTS.COM